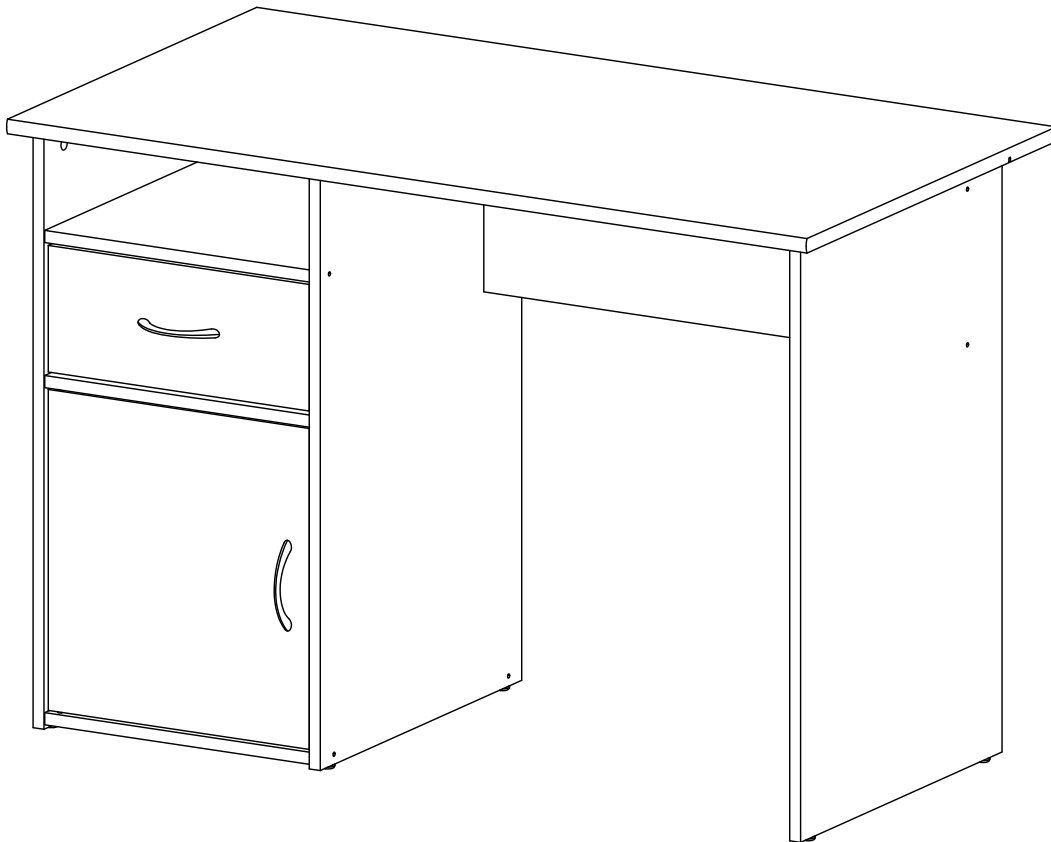


alphason

AW22145



REFERENCE NO:

POR000000

Please retain this booklet as you will be asked to quote this number for any warranty or product related queries

Issue: 00/00/00

PLEASE INSPECT ALL PARTS PRIOR TO ASSEMBLY AND CONTACT US IF ANY OF THE PARTS ARE DAMAGED OR MISSING. THIS MUST BE DONE BEFORE ATTEMPTING ASSEMBLY.



Need help or advice? Missing/damaged parts?
Contact us directly on:

Helpline 0845 130 6686

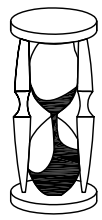
International Helpline (English Speaking): +44 1942 524 100



Interested in more Alphason products? Visit our website at:
www.alphasondesigns.com



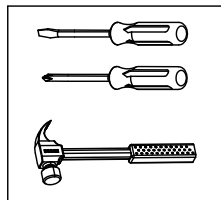
Have a question? Want more information? Email us on?
customer.services@armourhome.co.uk



60 MIN



x2



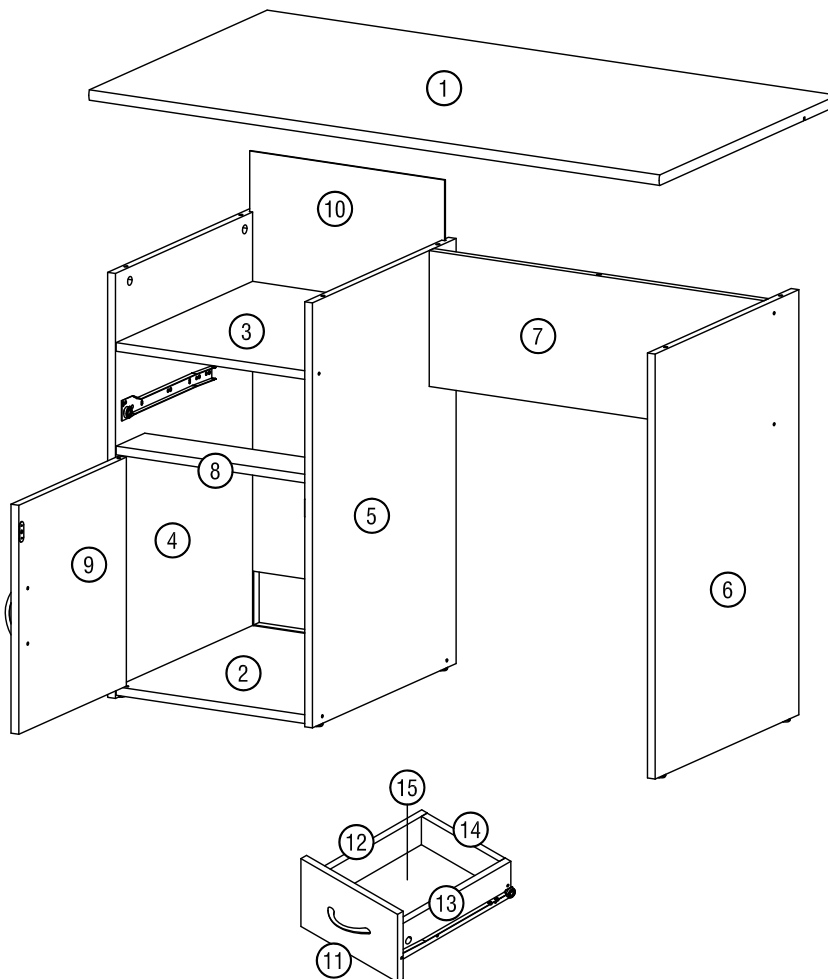
Self-Assemble
tool request









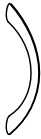


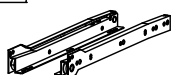
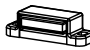

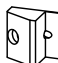
Instructions/Instrucciones/Mode d'emploi

- Do not tighten bolts completely until desk is fully assembled
- Por favor no apretar los tornillos hasta que haya ensamblado
- el escritorio completamente

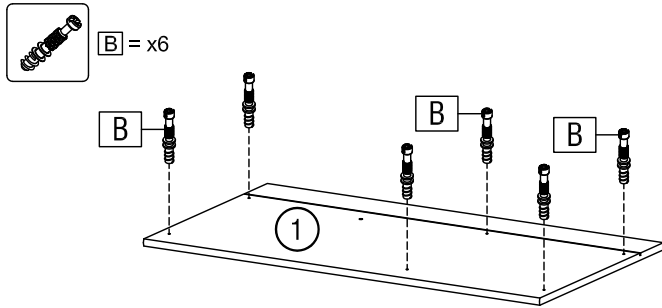
PARTS LIST

1	x1
2	x1
3	x1
4	x1
5	x1
6	x1
7	x1
8	x1
9	x1
10	x1
11	x1
12	x1
13	x1
14	x1
15	x1

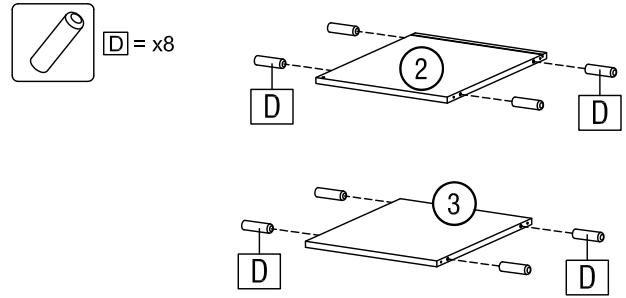


A  x8	B  x8	C  x8	D  x21	E  6 X 13 mm x8	F  4 X 22 mm x4	G  4 x 13 mm x3
H  8 x 50 mm x14	I  x2	J  x1	K  x2	L  1 set	M  x1	N  4 X 15 mm x8
O  x8						

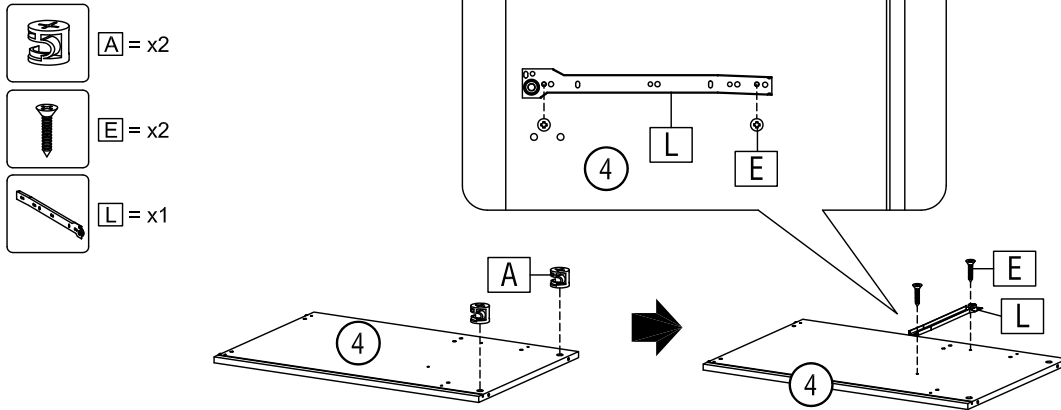
Step 1



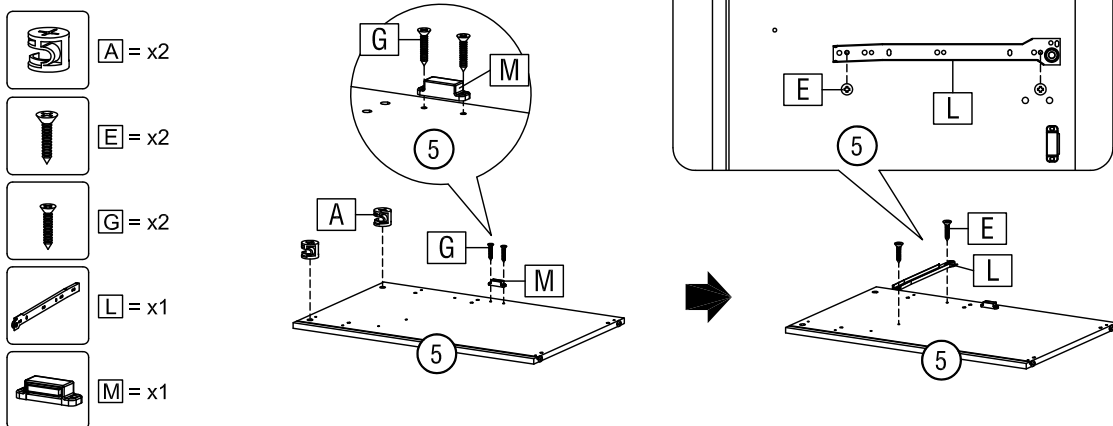
Step 2



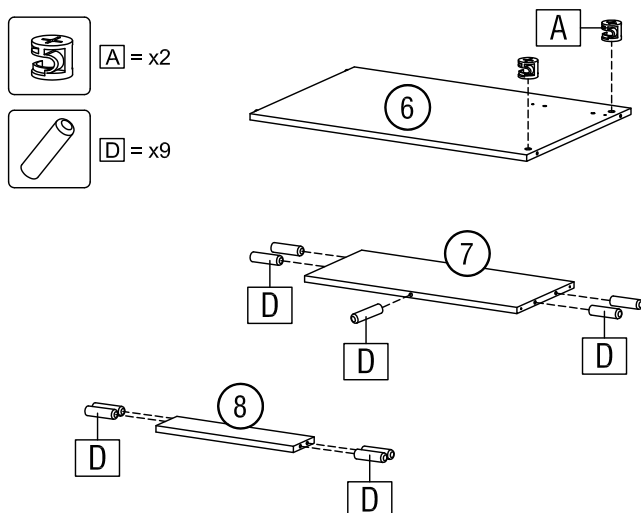
Step 3



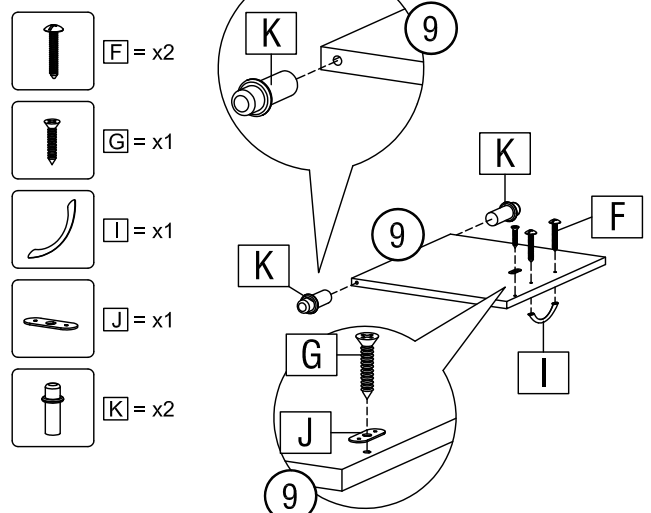
Step 4



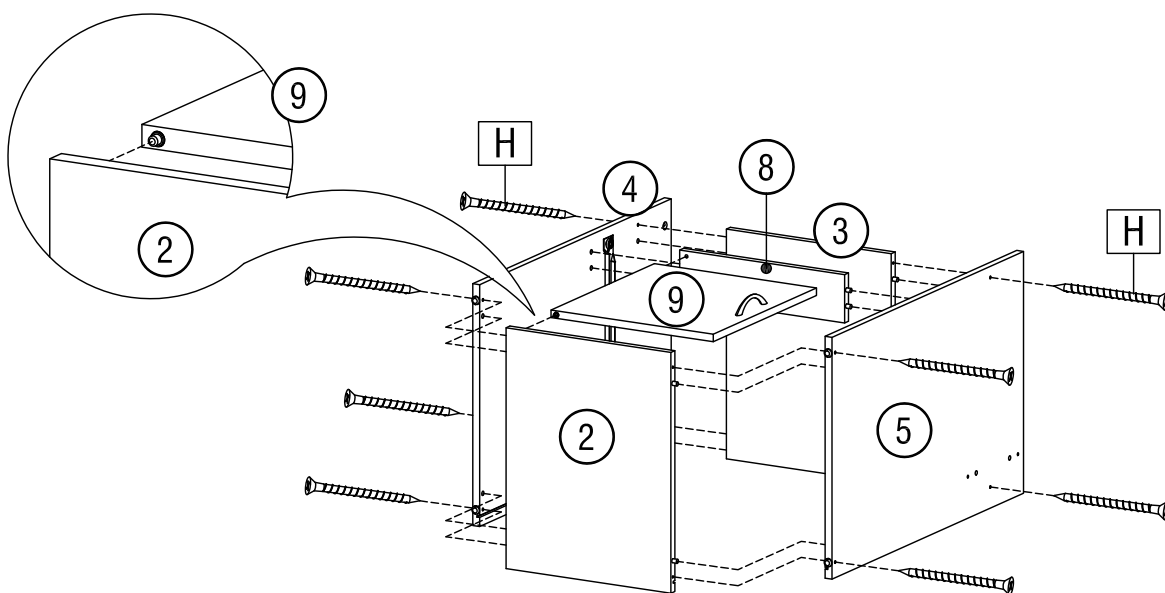
Step 5



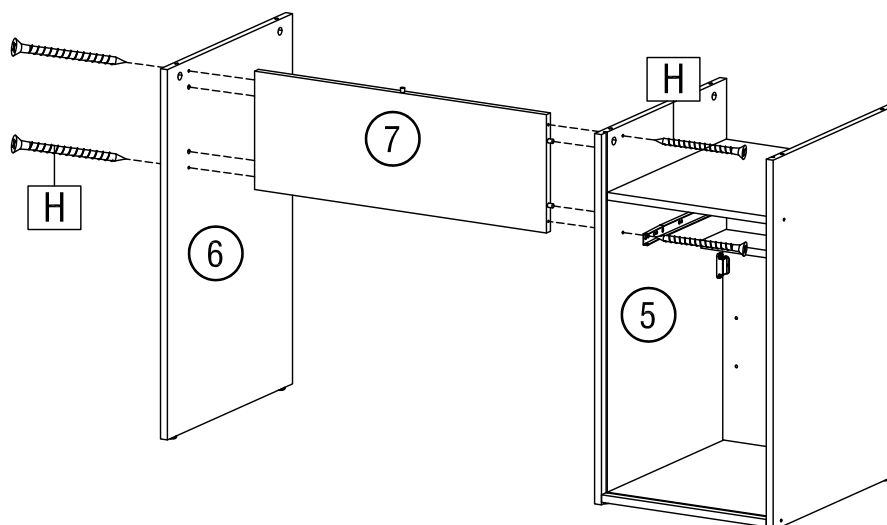
Step 6



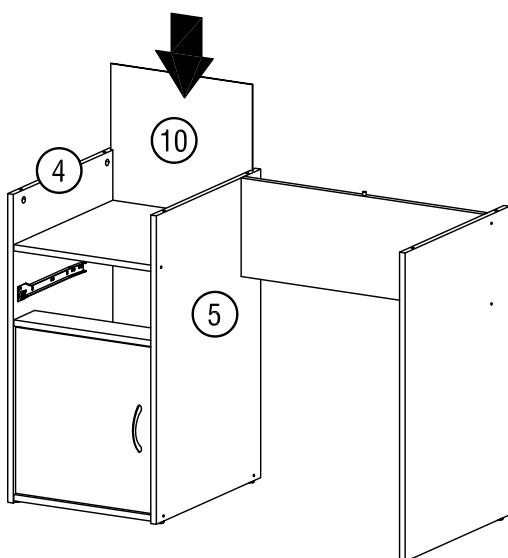
Step 7



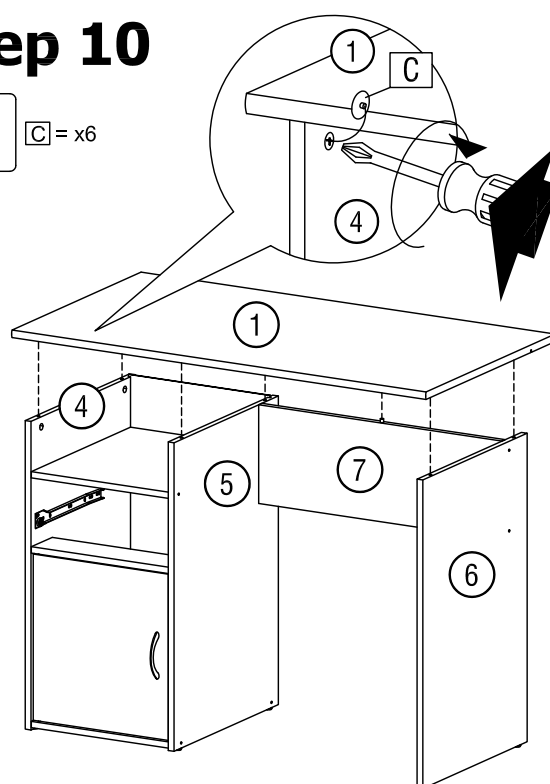
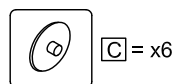
Step 8



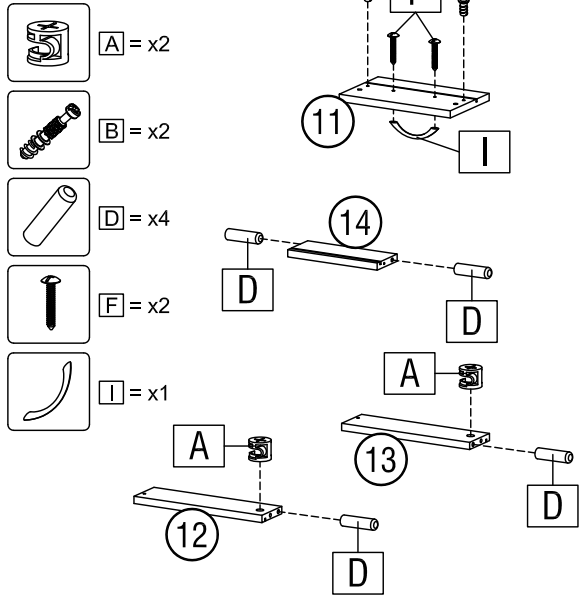
Step 9



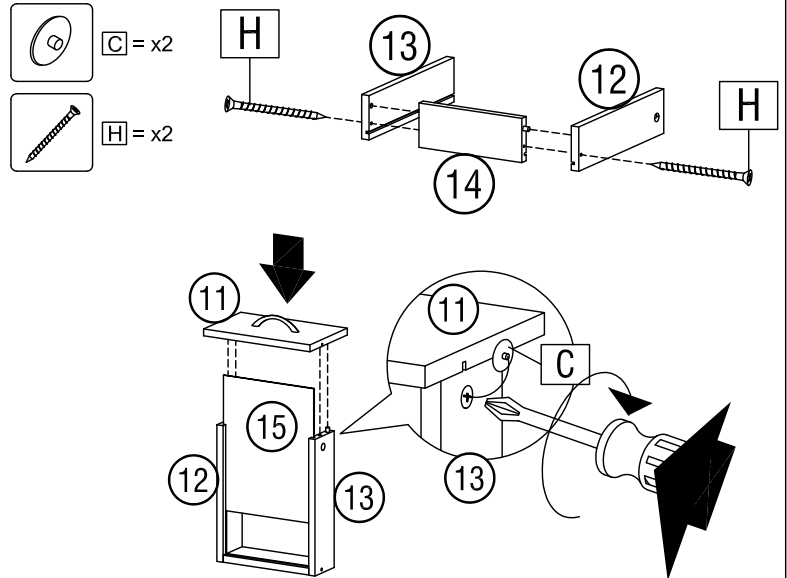
Step 10



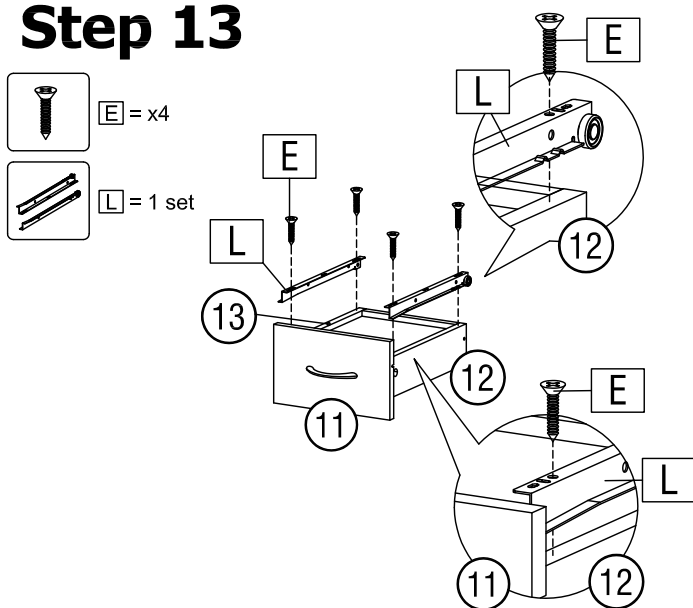
Step 11



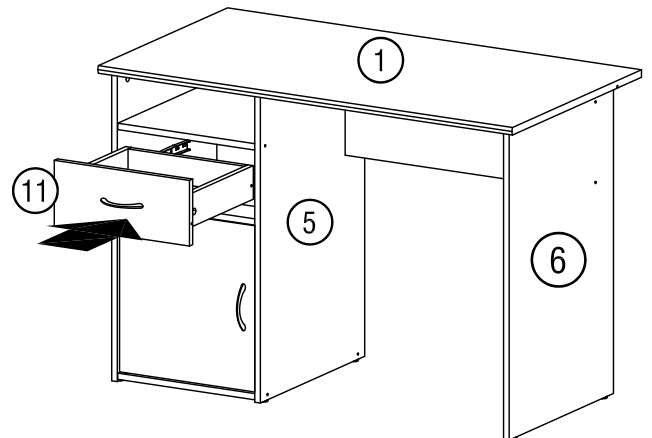
Step 12



Step 13



Step 14



Step 15

